



## FEATURES

- *EAS and Benefit Denial protection through the combination of EAS Tag and defeat-resistant locking*
- *Small, lightweight design that does not interfere when trying on merchandise*
- *Patented clutch-lock mechanism provides superior defeat resistance*
- *Four different clamp sizes to fit a wide range of merchandise such as eyewear temples, bracelets, watch bands, necklaces, and intimate apparel*
- *Ultra•Max technology provides the highest EAS detection rate available*

Ultra•Lock is a combination EAS hard tag and benefit denial product designed to protect eyewear, fine jewelry, and intimate apparel from theft without interfering with try-ons.

Ultra•Lock features a non-deactivatable label and a clamp lock mechanism in a small, lightweight design. It snaps into place without marking or damaging merchandise, and detaches easily using Sensormatic's Nickel detacher.

Ultra•Lock contains Ultra•Strip® label material that will activate the alarm on an Ultra•Max® detector system. The label cavity is made of rigid plastic for superior defeat resistance.

Sensormatic's patented clamp lock mechanism holds Ultra•Lock firmly to merchandise and resists sliding and prying for true benefit denial protection. With four different clamp sizes, Ultra•Lock fits most eyewear temples, bracelets, necklaces and other fine jewelry.

# Ultra•Lock provides both EAS and Benefit Denial protection

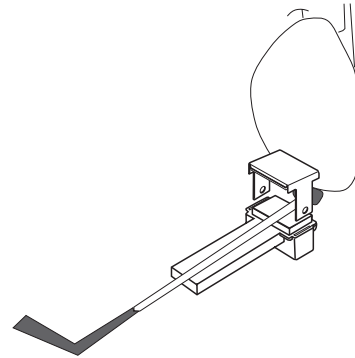
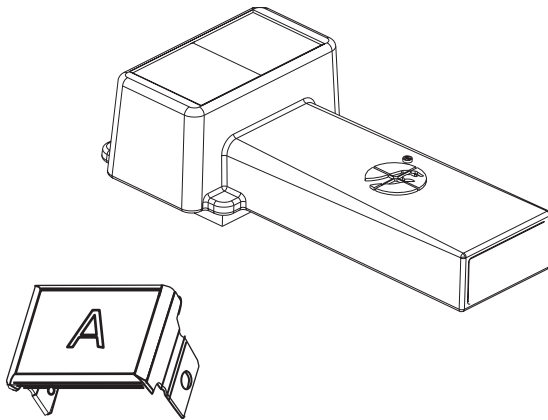
## SPECIFICATIONS

### Product Codes

Ultra•Lock and clips are ordered separately.

ZLULOCK-1 .....	Ultra•Lock (without clip)
ZLUCLIP-1 .....	A size clip
ZLUCLIP-2 .....	B size clip
ZLUCLIP-3 .....	C size clip
ZLUCLIP-4 .....	D size clip
ST14563 .....	Nickel Detacher

Height .....	12.05mm (.474 in.)
Max. weight .....	11.6 gm (.419 oz.)
Color .....	light gray



### Clip Lengths

Ultra•Lock is available with four different clip lengths to fit merchandise of various sizes:

A Clip .....	14.85mm (.585 in.)
B Clip .....	16.35mm (.644 in.)
C Clip .....	17.35mm (.683 in.)
D Clip .....	18.35mm (.722 in.)

### Label Cavity Dimensions

Length .....	50mm (1.97 in.)
Width .....	24mm (.95 in.)

Specifications subject to improvement or change without notice.

Certain product names mentioned herein may be trade names and/or registered trademarks of other companies.



Sensormatic Electronics Corporation  
951 Yamato Road, Boca Raton, Florida 33431, U.S.A.  
Telephone: (561) 989-7000 Toll Free: (800) 368-7262  
Visit our web site at <http://www.sensormatic.com>

